

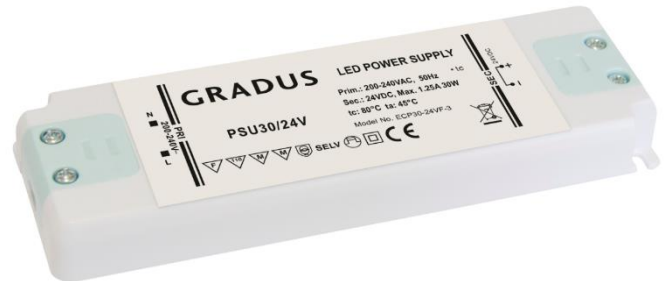
## Lighting Specification

**PSU30/24V**  
**30W Low Profile cv LED Driver with PFC**

Data Sheet: Page 1 of 2 SM/SB 18/10/2018

### Features

- Input voltage: 200 – 240VAC
- Input frequency: 50/60Hz
- Output power: 37W
- Built-in PFC function ( $\geq 0.9$ )
- Low profile and light-weight plastic case
- Working temperature: -20°C to +45°C
- Protections: Short circuit/Overload/Over temp
- 1 year warranty



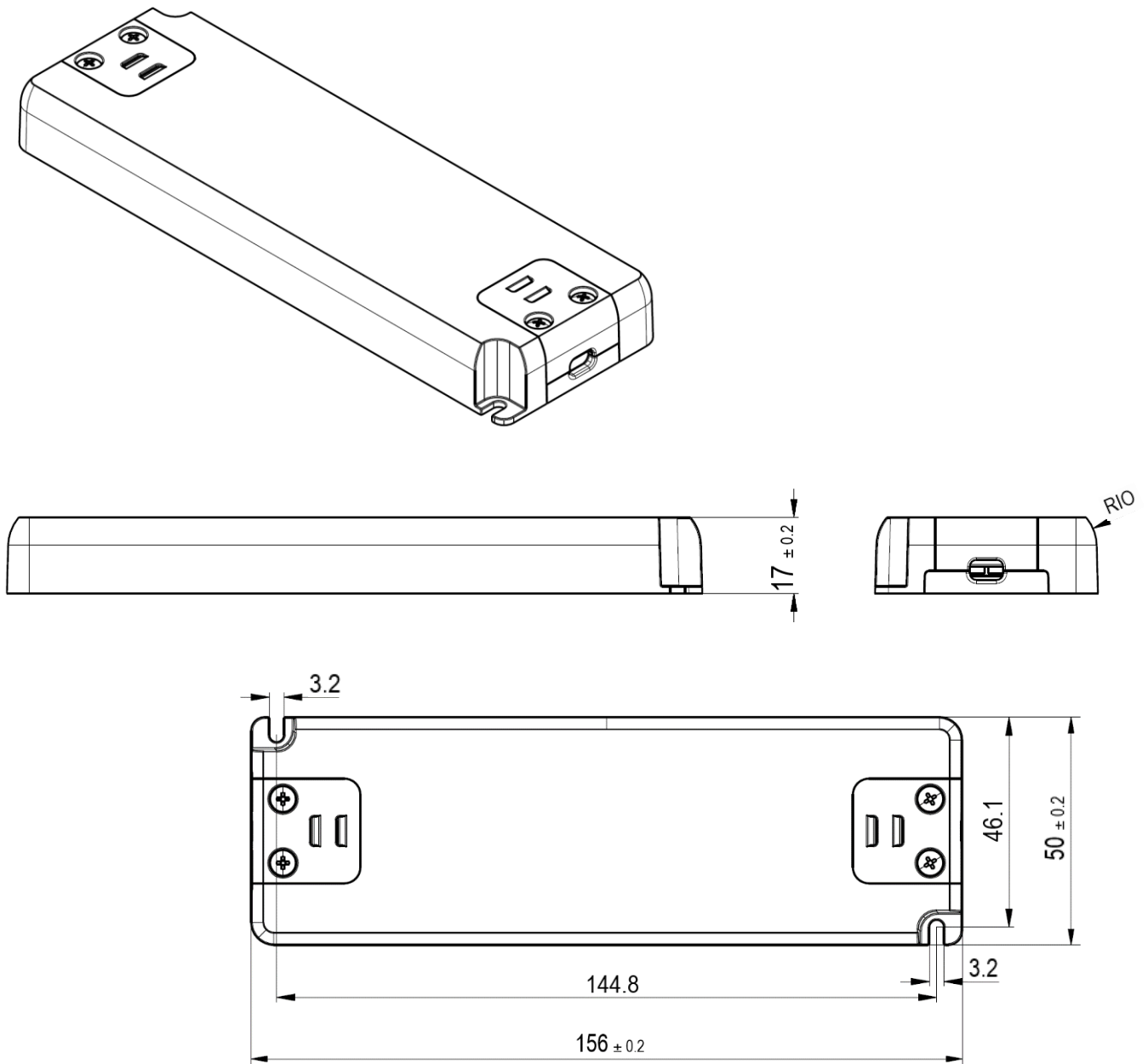
Model	PSU30/24V	
<b>Output</b>	Rated Voltage	24V
	Voltage Accuracy	$\pm 5\%$
	Current Range	0 – 1.25A
	Rated Power	30W
<b>Input</b>	Voltage Range	180 – 264VAC
	Frequency Range	50 – 60Hz
	Power Factor	$\geq 0.9$
	Efficiency	$\geq 85\%$
	Inrush Current (Typ.)	60A at 230VAC
	No Load Power Consumption	<0.5W
<b>Protection</b>	Short Circuit	Hiccup mode, recovers automatically after fault condition is removed
	Overload	>110% rated output power Hiccup mode, recovers automatically after fault condition is removed
<b>Environment</b>	Working Temperature	-20°C to +45°C
	Working Humidity	45 – 85%
<b>Safety &amp; EMC</b>	Safety Standards	EN61347-1; EN61347-2-13
	EMC Emission	EN55015
	EMC Immunity	EN61547; EN61000-3-2
<b>Others</b>	Dimensions	158 x 51 x 17 mm (L x W x H)

## Lighting Specification

PSU30/24V  
30W Low Profile cv LED Driver with PFC

Data Sheet: Page 2 of 2 SM/SB 18/10/2018

### Mechanical Specification



Dimensions shown in mm